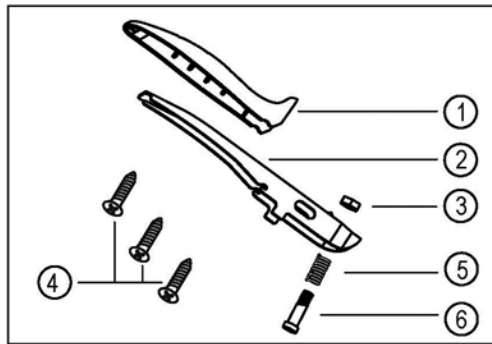
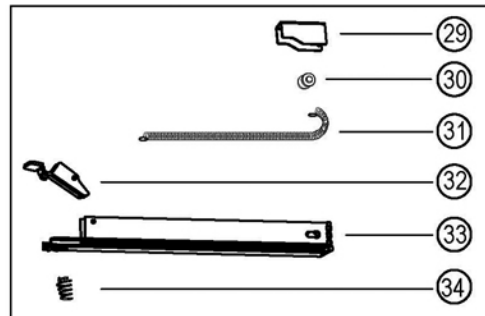
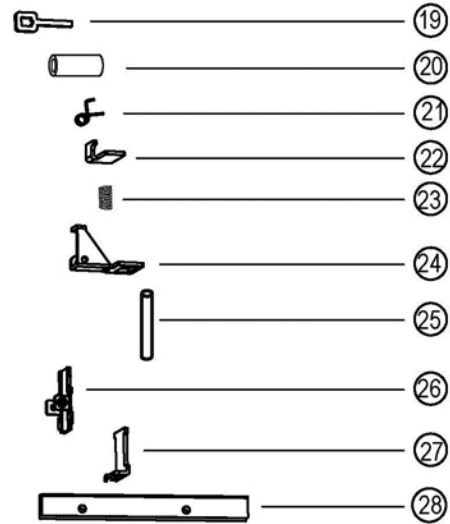
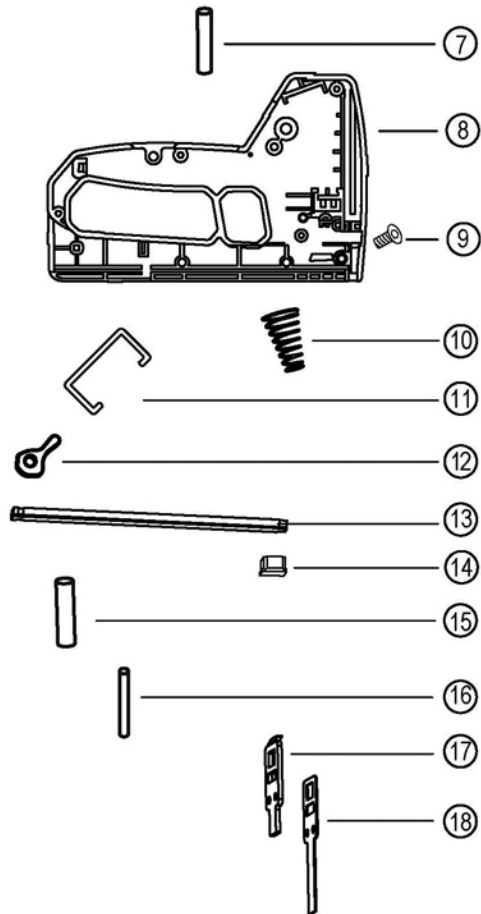


# Air Locker

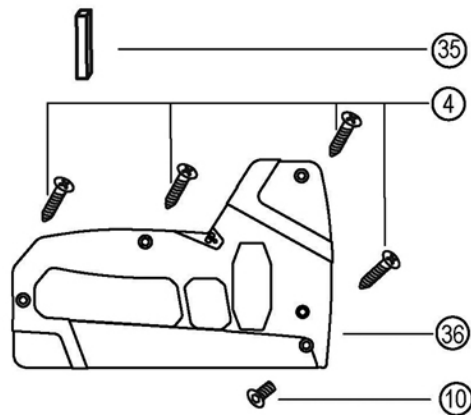
Model # M641



101



102



S.No.	Description	Qty.	S.No.	Description	Qty.	S.No.	Description	Qty.
1	Plastic Handle Cover	1	17	Driver	1	33	Magazine Lower(Ass.)	1
2	Handle	1	18	Driver Blade	1	34	Compression Spring	1
3	Screw Nut	1	19	Suspension Key	1	35	Cuboid Prop	1
4	Screw	1	20	Suspension Key Guide	1	36	Plastic Shell Right	1
5	Compression Spring	1	21	Torsion Spring	1	101	Handle Unit	1
6	Screw Bolt	1	22	Suspension Key Holder	1	102	Magazine Unit (Lower)	1
7	Cylinder Prop	1	23	Compression Spring	1			
8	Plastic Shell Left	1	24	Suspension Key Support	1			
9	Flat Head Screw Bolt	1	25	Cylinder Prop	1			
10	Compression Spring	1	26	Driver Guide	1			
11	Handle Lock Loop	1	27	Safety Lever	1			
12	Power Setting Switch	1	28	Magazine Upper	1			
13	Cross Beam	1	29	Nail Feeder	1			
14	Driver Stop Bumper	1	30	Nail Feeder Spring Roller	1			
15	Cylinder Prop	1	31	Nail Feeder Spring	1			
16	Cylinder Prop	1	32	Magazine End Click Lever	1			